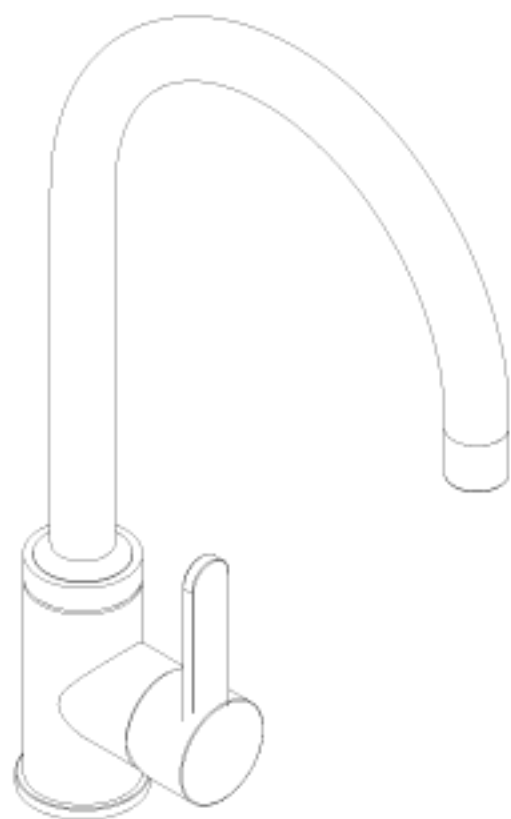


Installation instruction  
Single Lever Stainless Steel Monobloc Tap

Canterbury

Before You Install

check to make sure you have the following parts indicated below



Tools You Will Need



Adjustable wrench

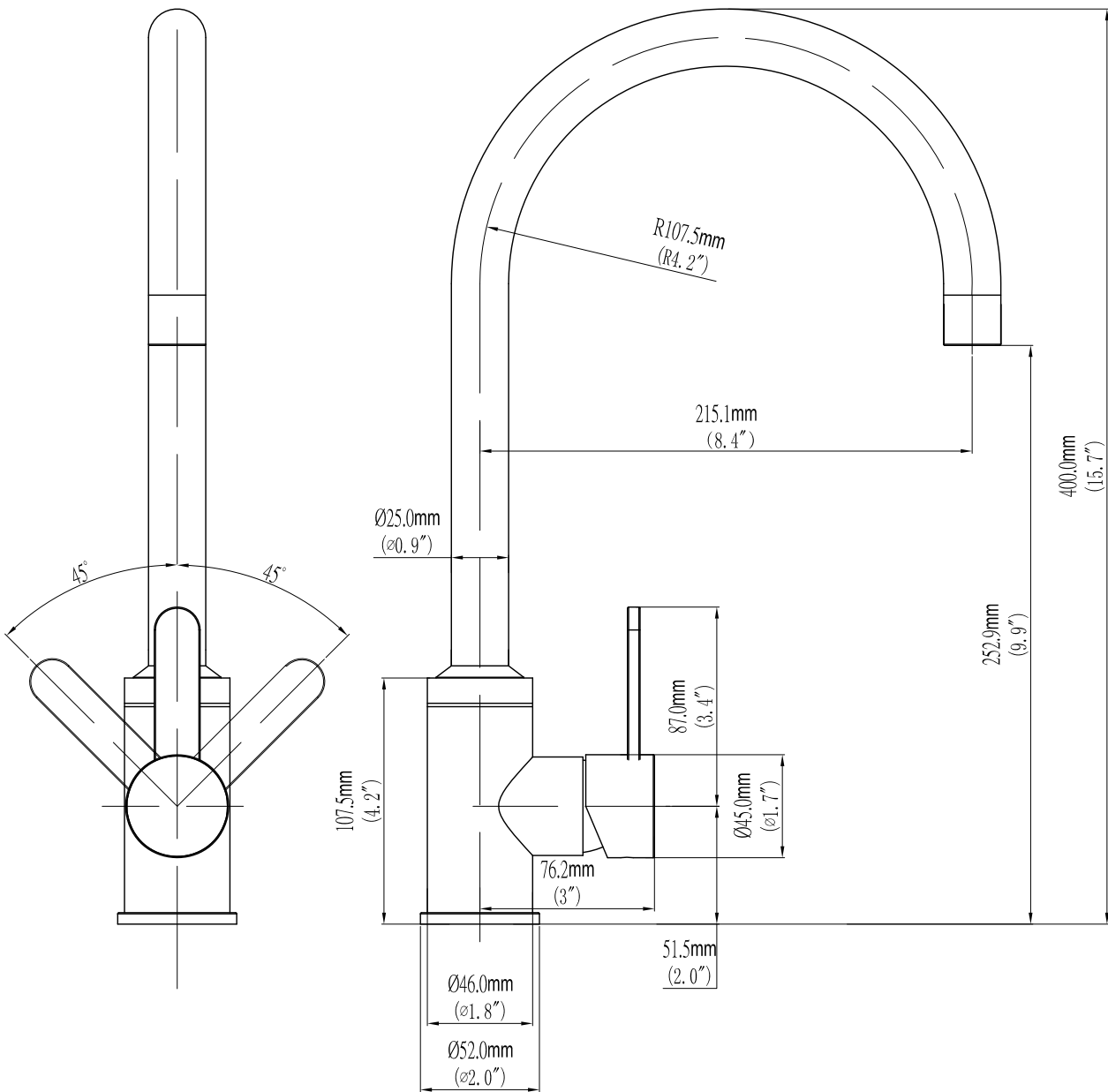


Phillips screwdriver



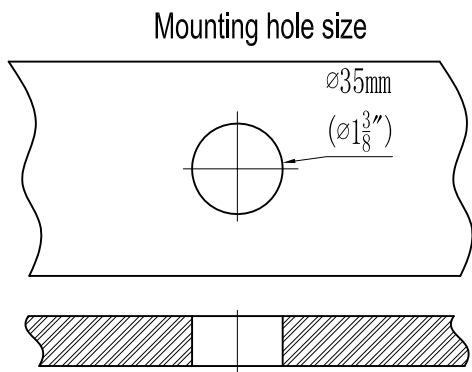
Pipe tape

# Product Dimension Drawing

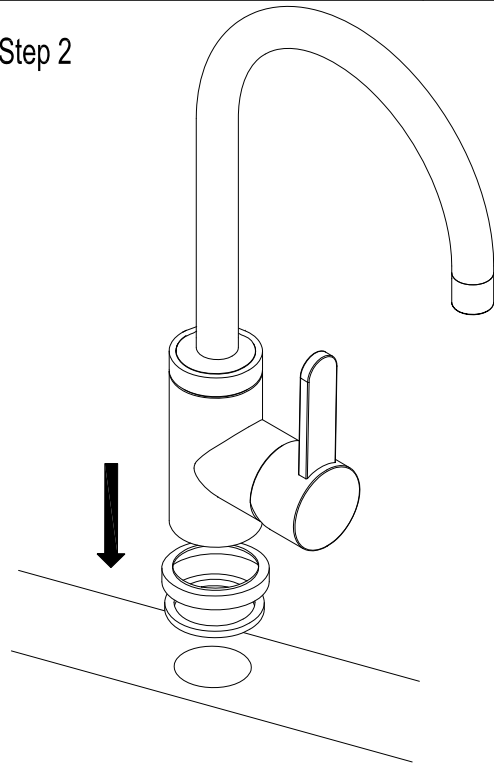


# Faucet Installation Procedures

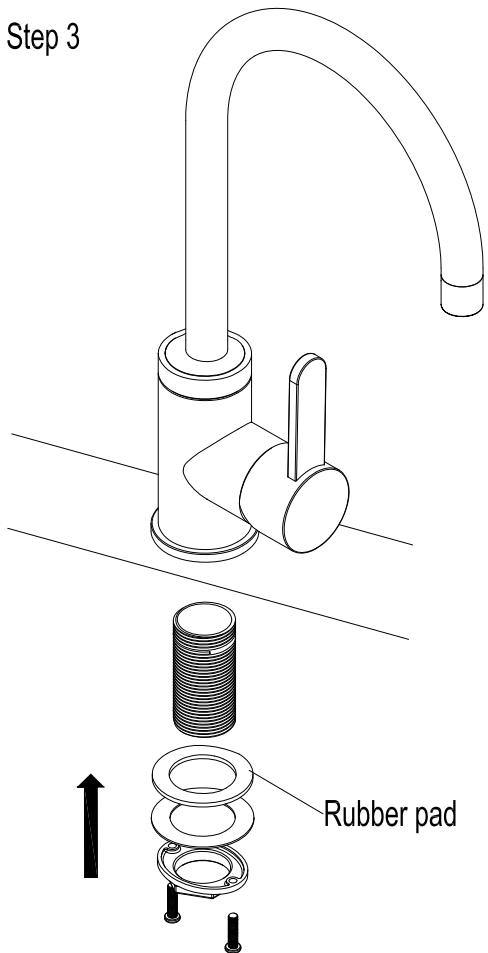
Step 1



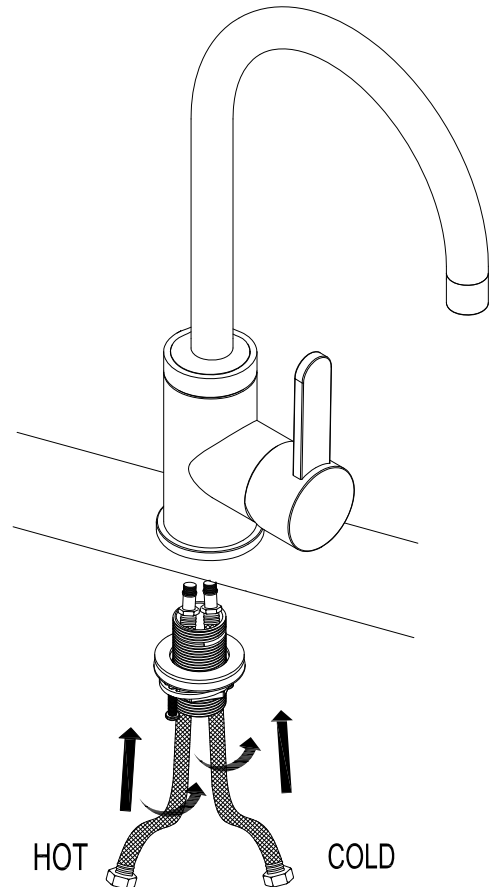
Step 2



Step 3

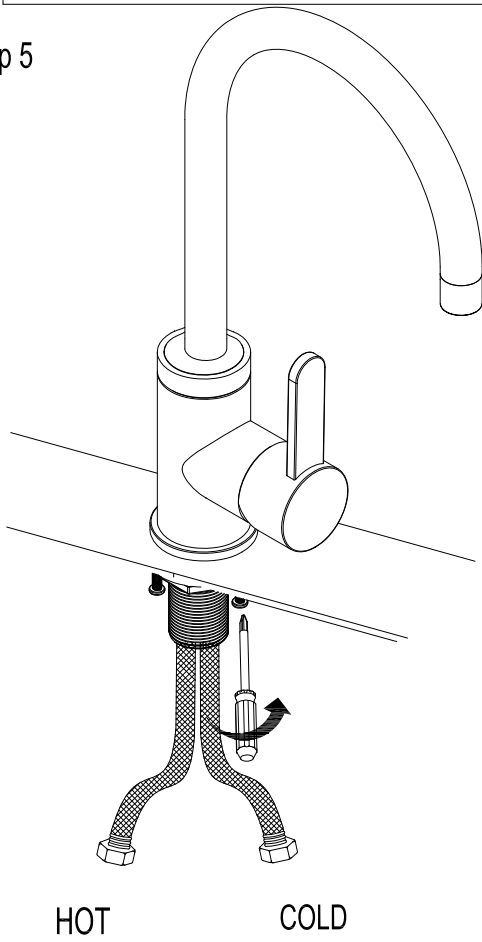


Step 4

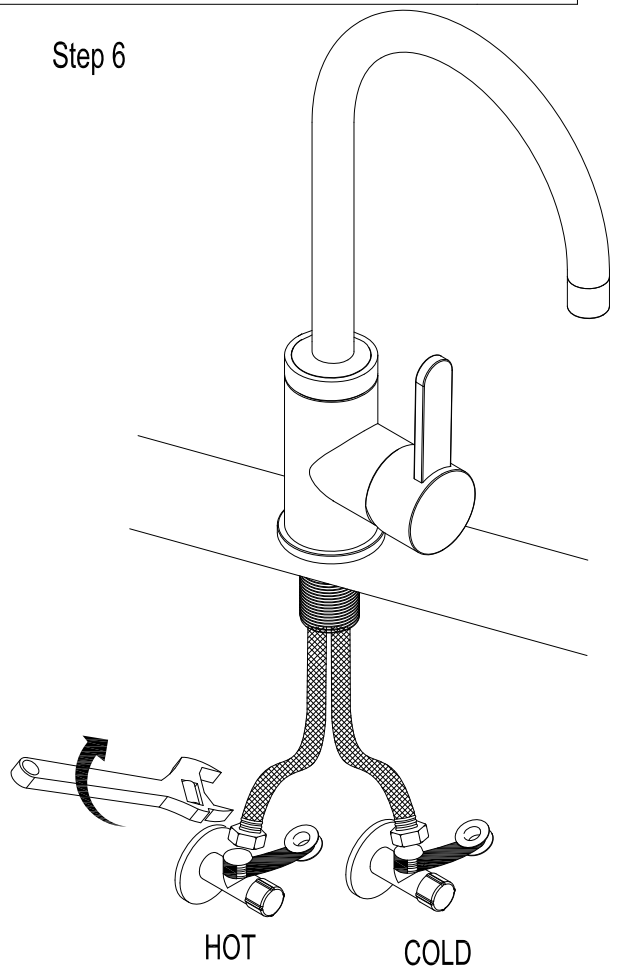


# Faucet Installation Procedures

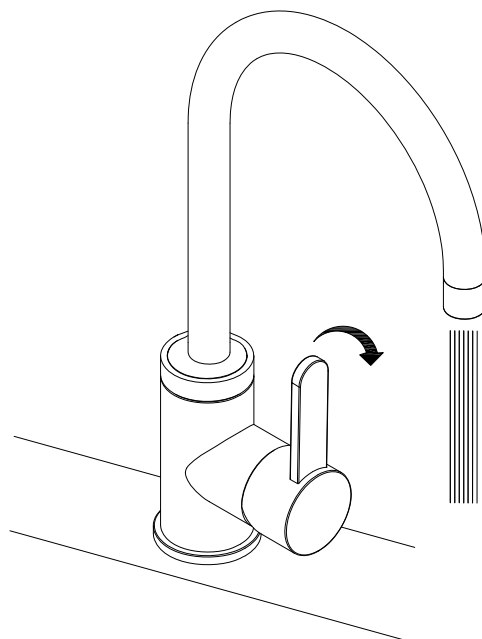
Step 5



Step 6

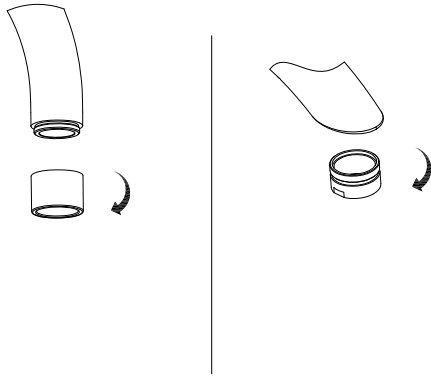


Step 7

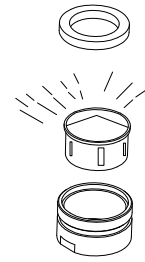


# Filter Cleaning

Step 1



Step 2



Step 3



Step 4

